

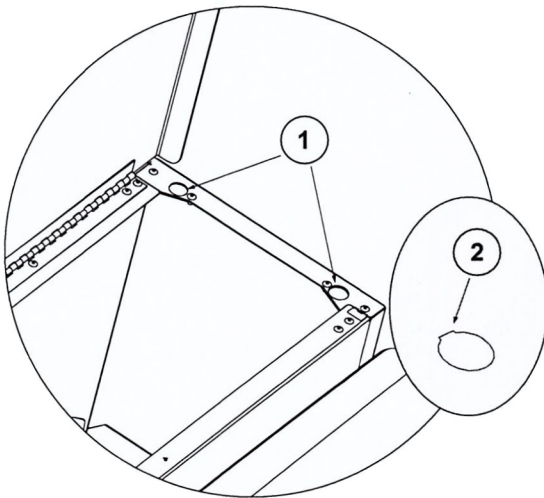
P-Series Hopper Extension Installation

P43, P38+ - Part #1-00-773895

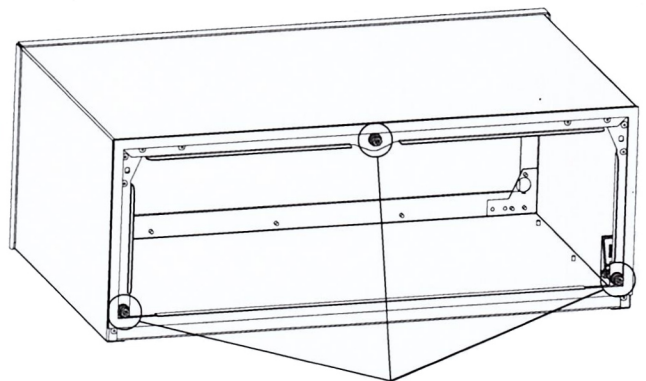
P61A, P68, PC45 - Part #1-00-06489

For units with hopper lid latch in the front center of the hopper.

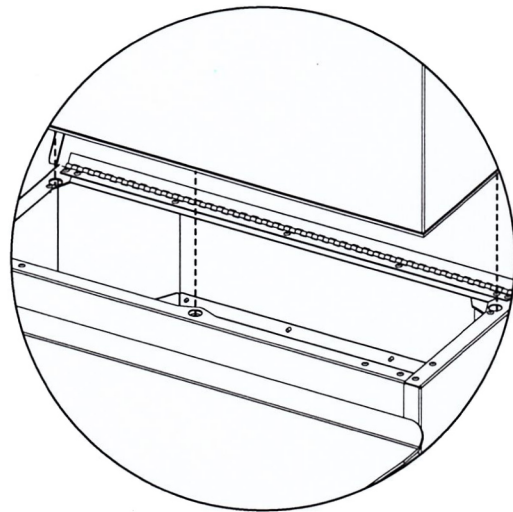
1. At the front and rear corners of the hopper (both sides), there is a hole that is used to fasten the hopper extension in place. On newer units, this hole has a knockout that will need to be removed prior to installing the hopper extension.
2. There is a small uncut area on the knockout that will become the hinge point. Push downward on the knockout with a screwdriver or a similar tool to push the knockout into the hopper. The knockout will need to be moved back and forth until it releases from the hopper extension. Once released from the hopper the knockout can be discarded.



For older units with a swell latch located in the front center of the hopper, remove the 2 swell latches located in the front corners of the extension. Re-install one of the removed latches into the center hole of hopper extension front mounting flange.



Swell Latch Placement



Special Note: Once Hopper Extension is installed, check the seal where the extension sets on top of the original hopper to insure a proper seal. Adjustments of the swell latches may be needed.